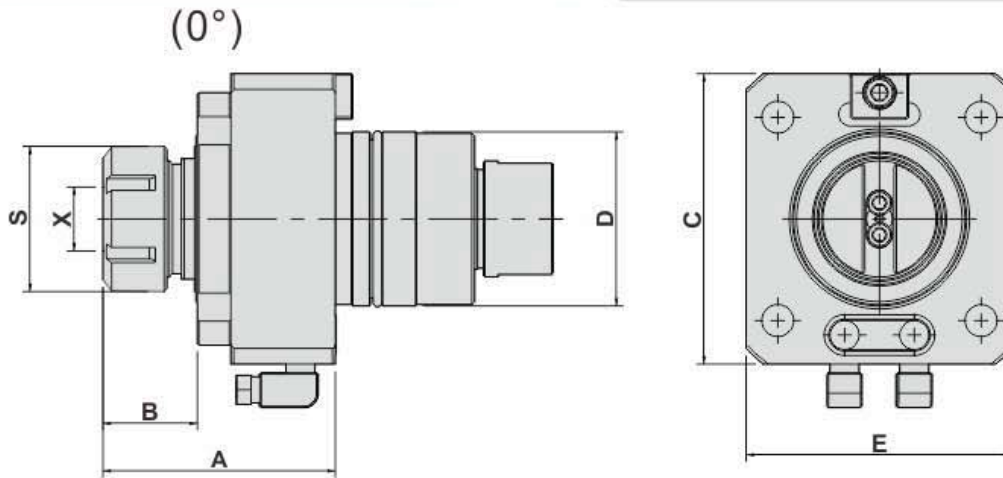


AXIAL MILLING AND DRILLING HEAD

GROMAX

TYPE TAKISAWA

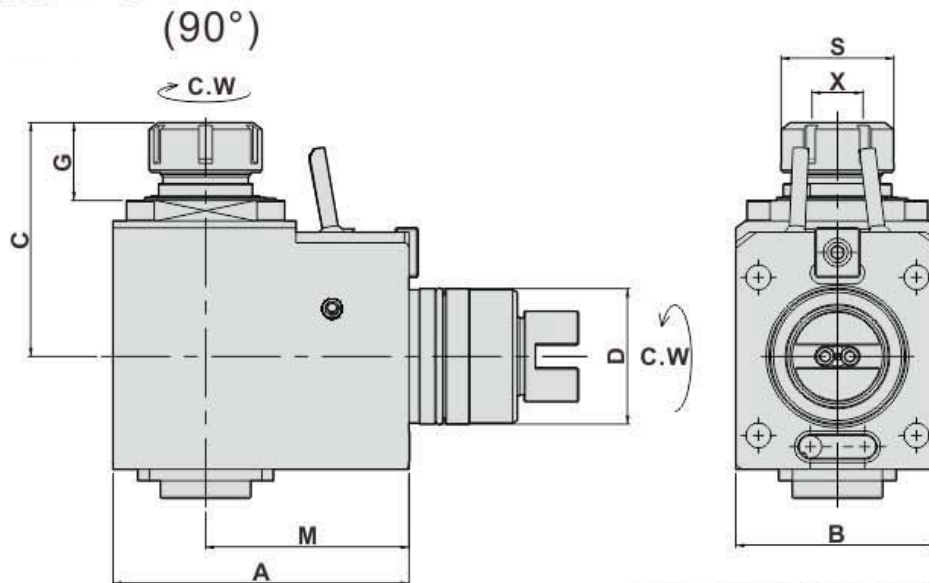


- To be used for collet DIN 6499
- External coolant supply
- Collet is not included

DIMENSIONS

Models	D	X Capacity	S	Maximum R.P.M.	A	B	C	E	Code No.	Order No.	(Kg) Weight
EX308 LA-200M LA-250MH LA-200Y LA-250Y LA-250YH	60	2-20 ER32	50	6000	80	32.5	100	92	1601KD-000	DA60-K-ER32	4

RADIAL MILLING AND DRILLING HEAD



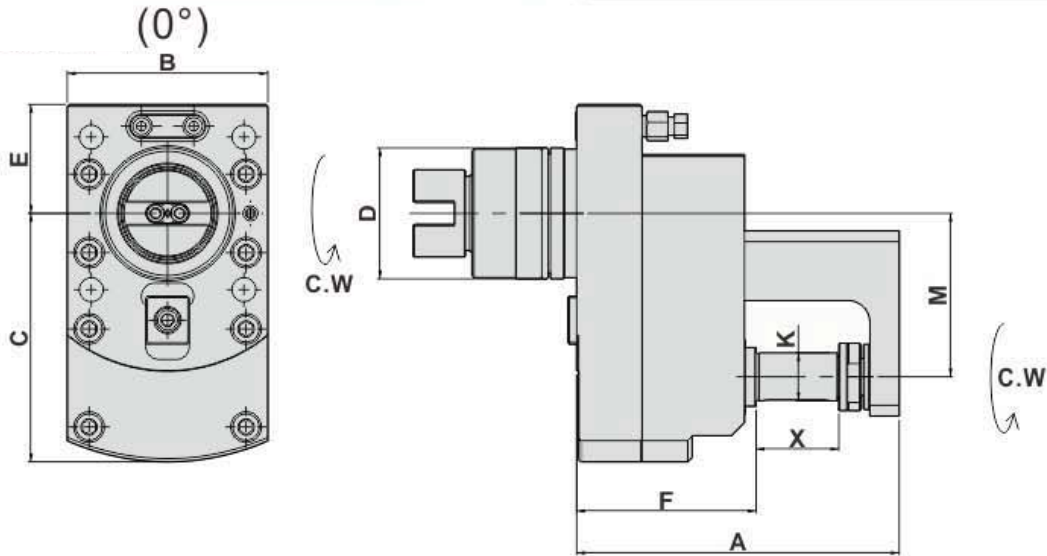
- To be used for collet DIN 6499
- External coolant supply
- Collet is not included

DIMENSIONS

Models	D	X Capacity	S	Maximum R.P.M.	A	B	C	G	M	Code No.	Order No.	(Kg) Weight
EX308 LA-200M LA-250MH LA-200Y LA-250Y LA-250YH	60	2-20 ER32	50	5000	131	90	105	34	90	2601KA-000	DF60-K-32-90	10.3

AXIAL MILLING AND DRILLING HEAD OFFSET

TYPE TAKISAWA



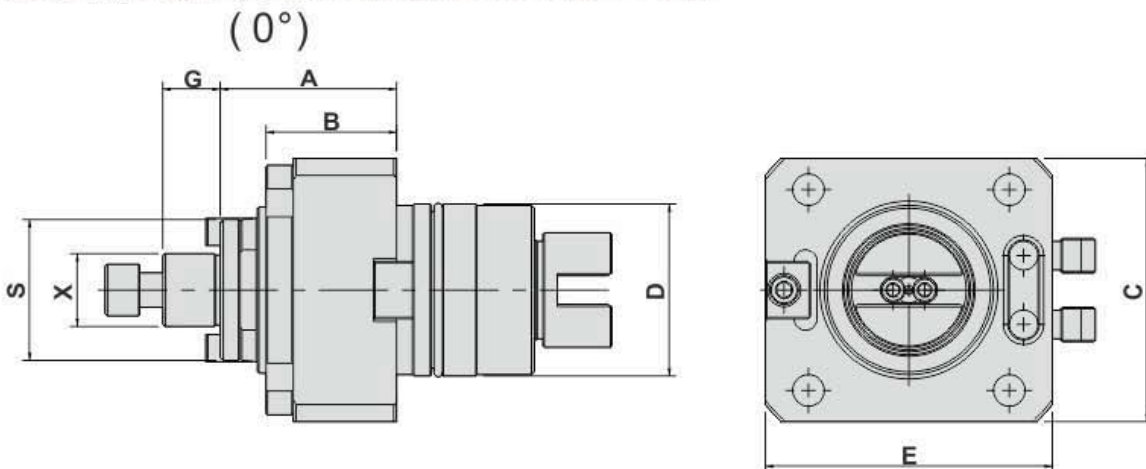
- To be used for collet DIN 6499
- External coolant supply
- Collet is not included

DIMENSIONS

Models	D	X Capacity	Maximum R.P.M.	i	A	B	C	E	F	K	M	Code No.	Order No.	(Kg) Weight
EX308 LA-200M LA-250MH LA-200Y LA-250Y LA-250YH	60	38	3000	2:1	148	92	114	50	82	22	75	1601KC-000	DA60-K-22C-75I	9.7

* i=2倍減速

AXIAL SHELL AND MILLING CUTTER



- To be used for collet DIN 6499
- External coolant supply
- Collet is not included

DIMENSIONS

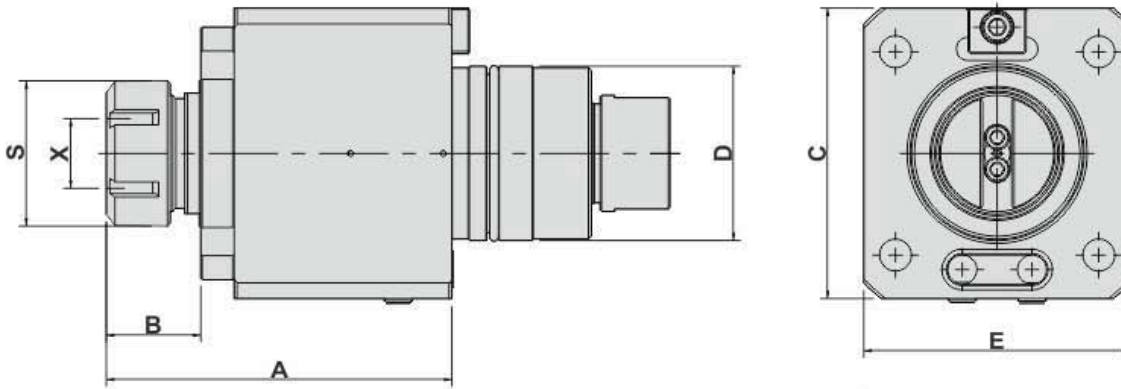
Models	D	X Capacity	Maximum R.P.M.	i	A	B	C	E	G	S	X	Code No.	Order No.	(Kg) Weight
EX308 LA-200M LA-250MH LA-200Y LA-250Y LA-250YH	60	25.4	3000	1:1	61.5	47.5	92	100	20	50	25.4	1601KF-000	DA60-K-25.4C	4.3

AXIAL MILLING AND DRILLING HEAD

GROMAX

TYPE TAKISAWA

(0°)



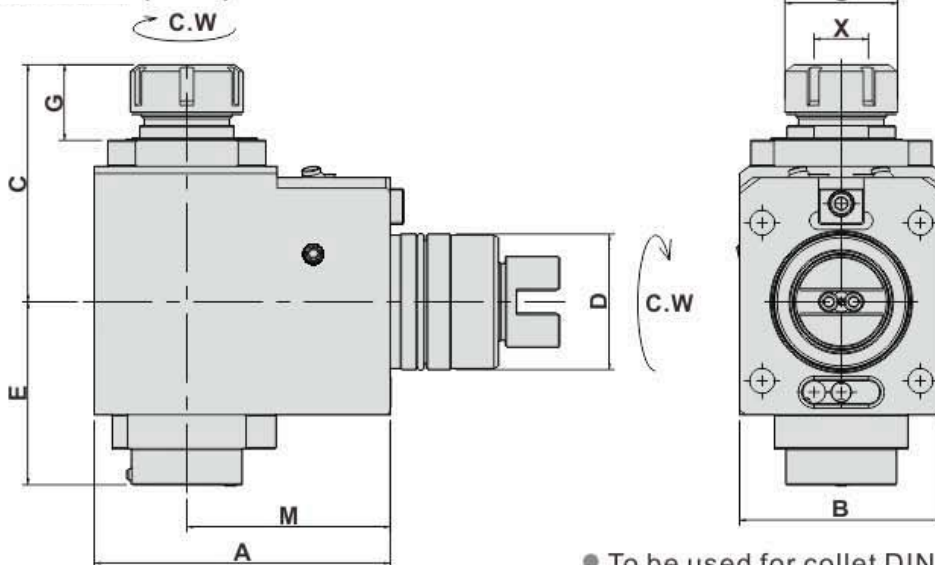
- To be used for collet DIN 6499
- Internal coolant supply: 15bar 中心出水
- Collet is not included

DIMENSIONS

Models	D	X Capacity	S	Maximum R.P.M.	A	B	C	E	Code No.	Order No.	(Kg) Weight
EX308 LA-200M LA-250MH LA-200Y LA-250Y LA-250YH	60	2-20 ER32	50	6000	119	32.5	100	92	1601KG-000	CW-DA60-K-ER32	6.5

RADIAL MILLING AND DRILLING HEAD

(90°)



- To be used for collet DIN 6499
- Internal coolant supply: 50bar 中心出水
- Collet is not included

DIMENSIONS

Models	D	X Capacity	S	Maximum R.P.M.	A	B	C	E	G	M	Code No.	Order No.	(Kg) Weight
EX308 LA-200M LA-250MH LA-200Y LA-250Y LA-250YH	60	2-20 ER32	50	5000	131	90	105	81	33.5	90	2601KD-000	CW-DF60-K-32-90	10.4

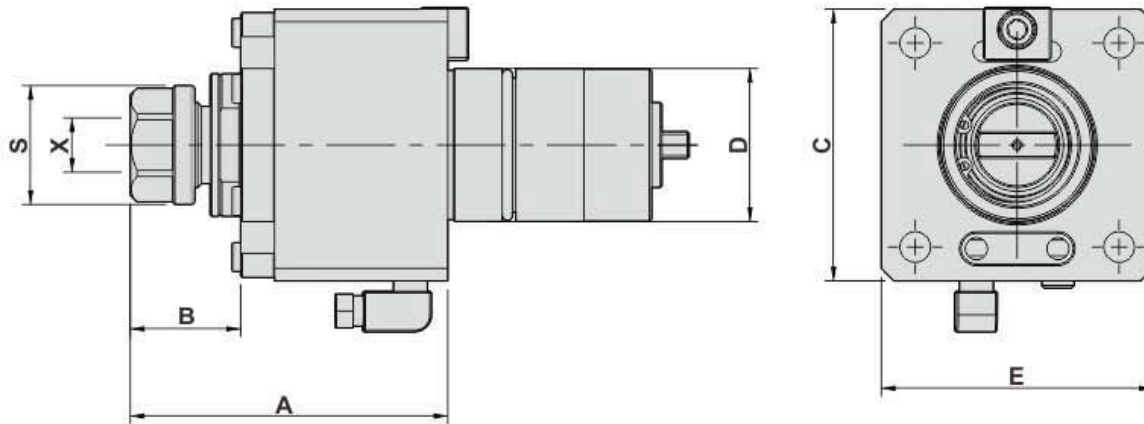
AXIAL MILLING AND DRILLING HEAD

GROMAX

TYPE

TAKISAWA

(0°)



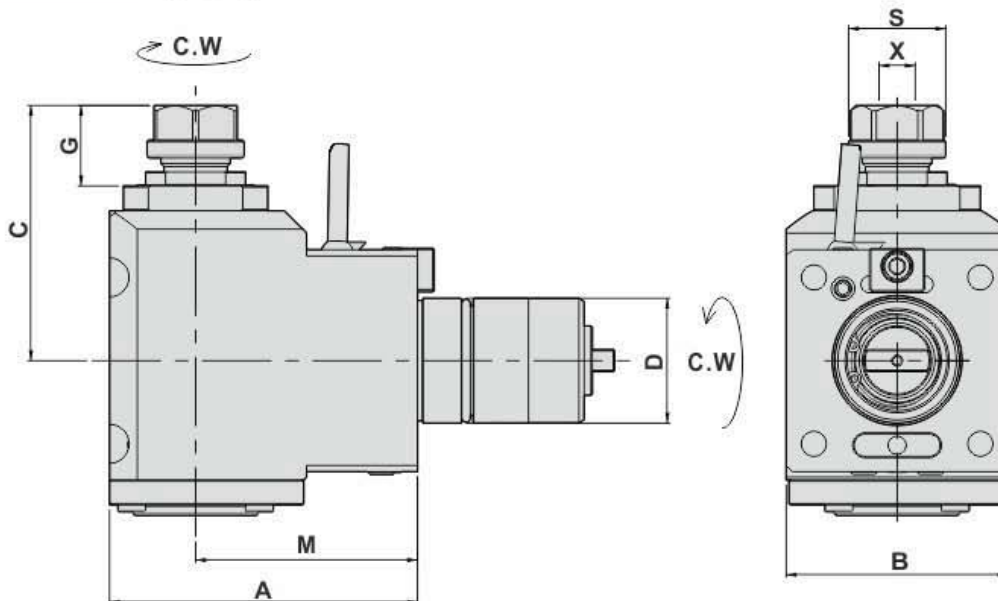
- To be used for collet DIN 6499
- External coolant supply
- Collet is not included

DIMENSIONS

Models	D	X Capacity	S	Maximum R.P.M.	A	B	C	E	Code No.	Order No.	(Kg) Weight
LA-150	45	1-13 ER20	35	6000	93.5	32.5	80	80	1451KA-000	DA45-K-ER20	3.5

RADIAL MILLING AND DRILLING HEAD

(90°)



- To be used for collet DIN 6499
- External coolant supply
- Collet is not included

DIMENSIONS

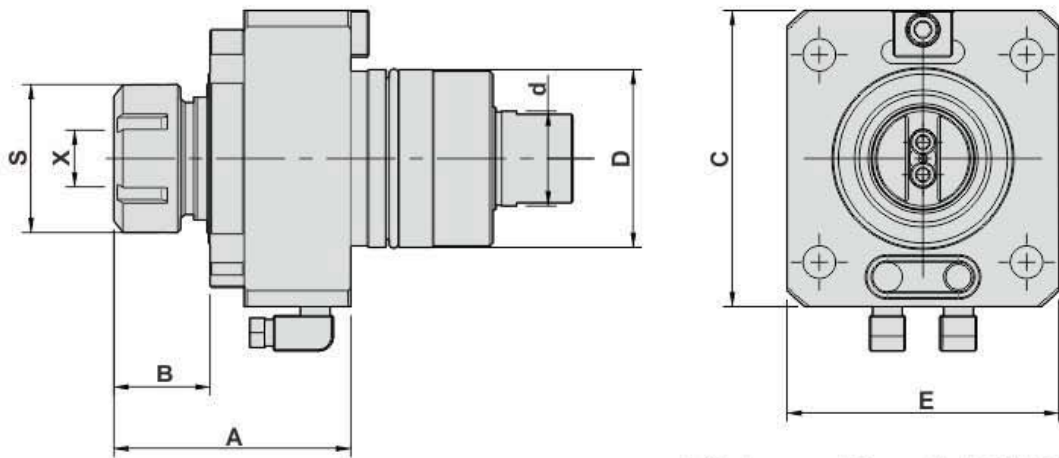
Models	D	X Capacity	S	Maximum R.P.M.	A	B	C	G	M	Code No.	Order No.	(Kg) Weight
LA-150	45	1-13 ER20	35	5000	111	80	92	29	80	2451KA-000	DF45-K-20-80	6.5

AXIAL MILLING AND DRILLING HEAD

GROMAX

TYPE TAKISAWA

(0°)



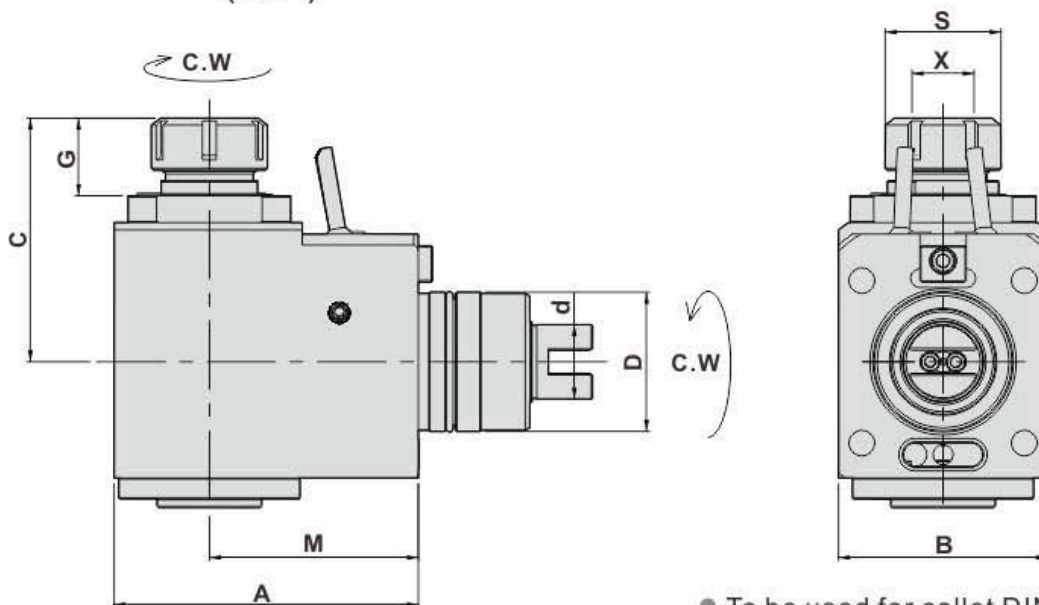
- To be used for collet DIN 6499
- External coolant supply
- Collet is not included

DIMENSIONS

Models	D	X Capacity	S	Maximum R.P.M.	A	B	C	E	d	Code No.	Order No.	(Kg) Weight
NEX-108M	60	2-20 ER32	50	6000	80	32.5	100	92	32	1601KR-000	S-DA60-K-ER32	4

RADIAL MILLING AND DRILLING HEAD

(90°)



- To be used for collet DIN 6499
- External coolant supply
- Collet is not included

DIMENSIONS

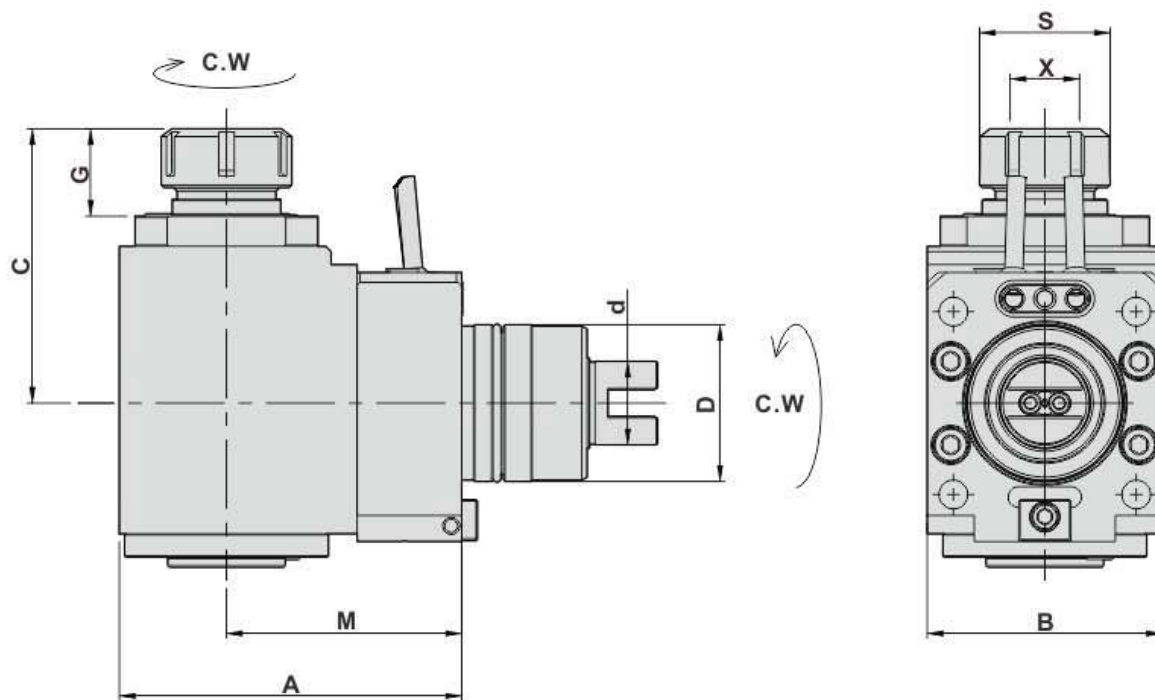
Models	D	X Capacity	S	Maximum R.P.M.	A	B	C	G	M	d	Code No.	Order No.	(Kg) Weight
NEX-108M	60	2-20 ER32	50	5000	131	90	105	34	90	32	2601KR-000	S-DF60-K-32-90	10

RADIAL MILLING AND DRILLING HEAD

GROMAX

TYPE TAKISAWA

(90°)



- To be used for collet DIN 6499
- External coolant supply
- Collet is not included

DIMENSIONS

Models	D	X Capacity	S	Maximum R.P.M.	A	B	C	G	M	d	Code No.	Order No.	(Kg) Weight
FX-800	60	2-20 ER32	50	5000	131	90	105	34	90	32	2601KK-000	S-DF60-K-32-90-2	10.5